

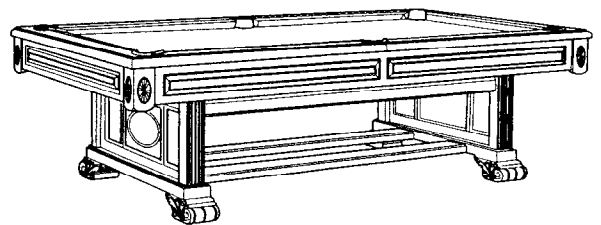
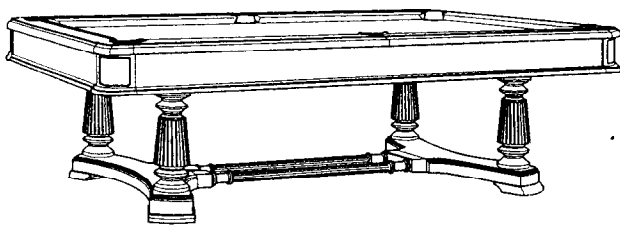
Montebello™ Windsor

POCKET BILLIARD TABLE INSTALLATION MANUAL



www.brunswick-billiards.com
SERVICE DEPARTMENT P.O. BOX 68 BRISTOL, WI 53104

NOTE: Please use the instructions in this manual to assemble the tables shown below.
Illustrations may be different depending on the table being assembled.
Also note that careful handling of *all* components
will assure damage-free assembly.

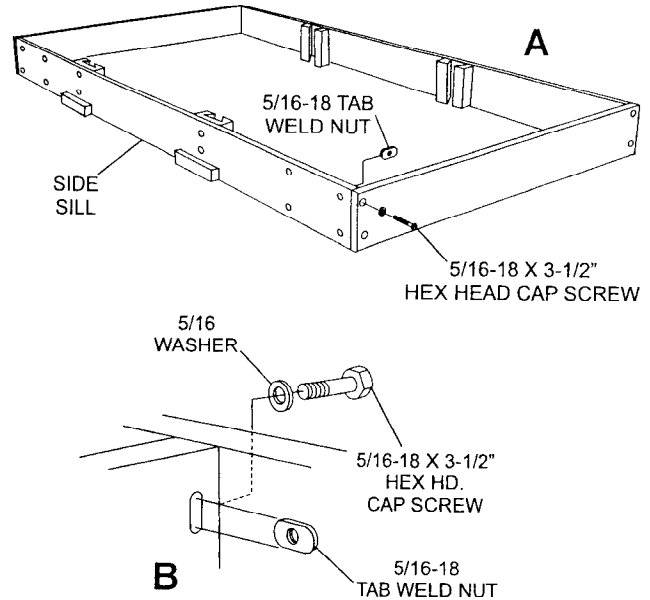


LEG AND BASEFRAME ASSEMBLY - MONTEBELLO

MONTEBELLO • WINDSOR

FIGURES ONE (A & B)

Step #1: Place the side and end sills upside down on a large flat surface or the floor. Loosely assemble the end sills to the side sills using 5/16-18 x 3-1/2" hex head cap screws, 5/16 washers, and 5/16-18 tab weld nuts.



FIGURES ONE (A & B)

FIGURE TWO

Step #2: With the baseframe remaining upside down loosely mount the legs to the side sills using 3/8-16 x 6-7/8" hex head cap screws, 3/8 washers and 3/8-16 hex nuts.

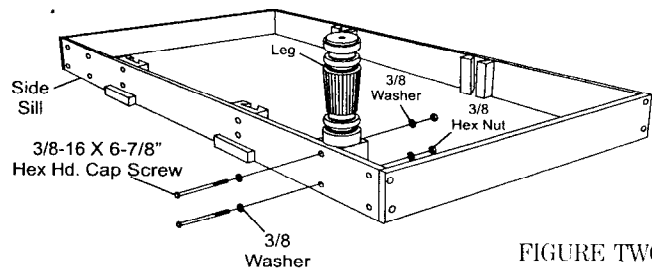


FIGURE TWO

FIGURE THREE

Step #3: Loosely mount the leg pedestal to the bottom of the leg using 3/8-16 x 3" hex cap screw and 3/8 washers.

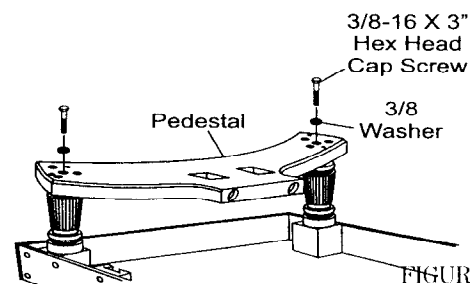


FIGURE THREE

FIGURE FOUR

Step #4: Install the stretchers to the pedestals using 5/16-18 x 3-1/2" hex head cap screw, 5/16 washer and 5/16-18 tab weld nuts. Tighten securely.

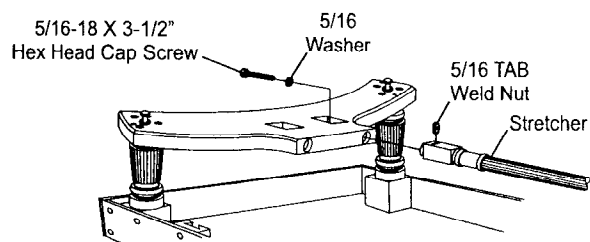


FIGURE FOUR

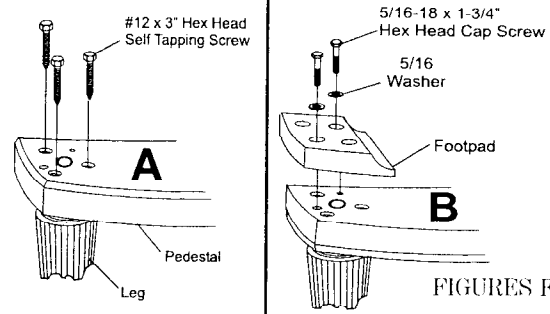
LEG AND BASEFRAME ASSEMBLY - MONTEBELLO (CONTINUED)

MONTEBELLO • WINDSOR

FIGURE FIVE (A & B)

Step #5: Tighten the pedestal to leg screw and install (3) #12 x 3" hex head self tapping screws per leg.

Step #6: Install the pedestal footpad to the pedestal using 5/16-18 x 1-3/4" hex head cap screws and 5/16 washers. Tighten securely.



FIGURES FIVE A & B

FIGURE SIX

Step #6: using a partner, carefully turn table upright and place in its permanent position. Install the dove tail cross supports making sure that they are flush with the top of the side sills. Shim stock can be placed in the bottom of the dove tail slot to accomplish this.

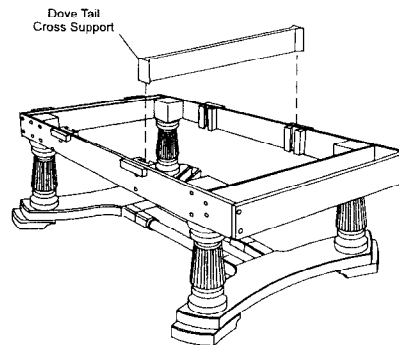


FIGURE SIX

FIGURE SEVEN

Step #7: Square the baseframe by using a carpenter's square or measuring the diagonal corners. The diagonal measurements should not vary over 1/8". With the table square, securely tighten all remaining sill and leg hardware.

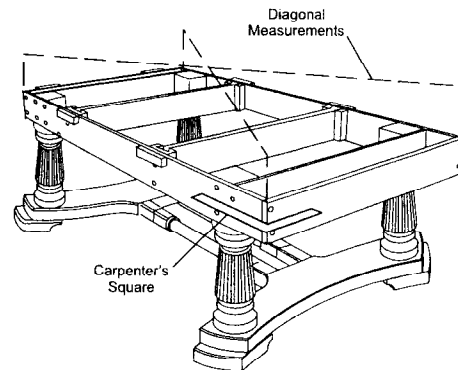


FIGURE SEVEN

FIGURE EIGHT

Step #8: Attach securely (2) slate attach cleats to each end sill using 5/16-18 x 4-1/2" hex head cap screws, 5/16 washers, and 5/16-18 hex nut.

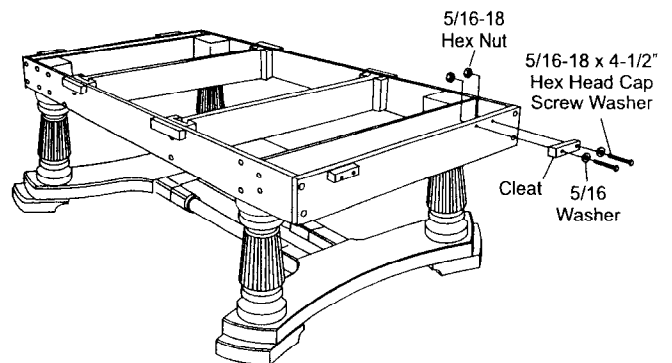


FIGURE EIGHT

SLATE ASSEMBLY AND LEVELING - MONTEBELLO

MONTEBELLO • WINDSOR

FIGURE ONE

IMPORTANT: Level the baseframe prior to installing the slate.

Step #1: With a carpenter's level, locate the highest corner of the baseframe. Level the baseframe by positioning shims (supplied) underneath the other three legs as necessary.

Step #2: Be sure the top surfaces are absolutely flush. Add shims or remove wood as necessary to accomplish this.

Step #3: With the baseframe level and carefully positioned in its permanent location, place the center section of slate on the table. Be sure it is precisely square with the frame and an equal amount of overhang exists on both sides of the table.

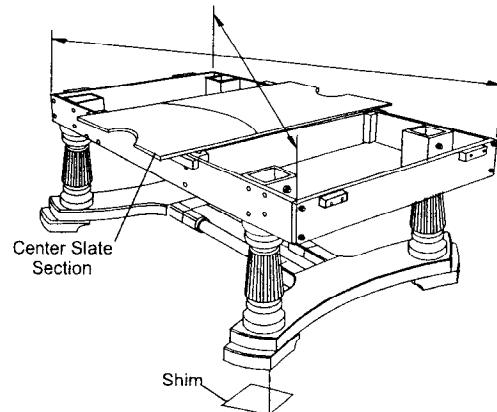


FIGURE ONE

FIGURE TWO

Step #4: Position the two end slate sections on the base frame. Be sure the penciled arc forms a radius as shown.

Step #5: Recheck to be sure the slate has an equal amount of overhang around the baseframe.

Step #6: Using the 12 countersunk holes in the slate as a template, pilot drill 5/32" diameter holes into the mounting cleats.

Step #7: Securely fasten the end slate section at both ends of the table.

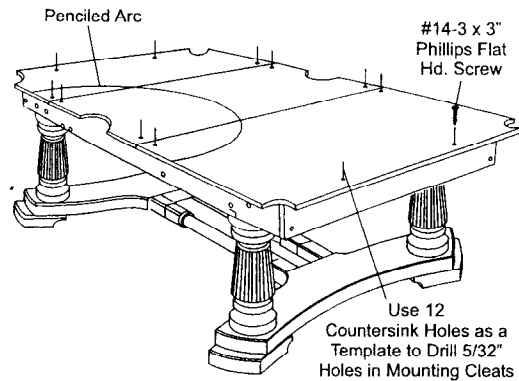


FIGURE TWO

FIGURE THREE (A & B)

Step #8: With a precision level, level each end slate section by driving wooden slate wedges (provided) between the top of the baseframe and bottom of the slate as shown in Figure 3 (A). Keep wedges as close to the countersunk holes as possible.

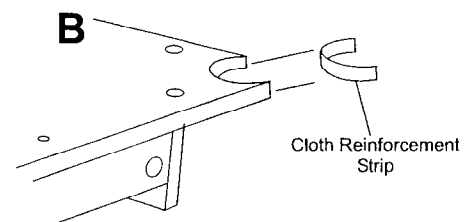
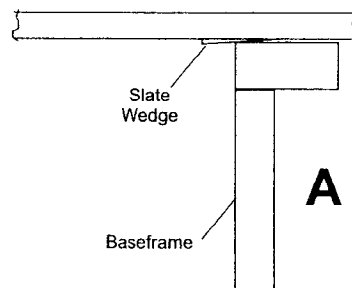
Step #9: With both end slates perfectly level, continue fastening the end slates at the joints. Recheck for levelness and if necessary, back the screw out and adjust the shim position, then retighten the slate attaching screw.

Step #10: When satisfied both end slates are level, shim the center slate section as required to obtain a flush fit at both joints, then screw the center slate down.

Step #11: Slate joints can now be filled with "Rock Hard" putty or wax. When dry, lightly sand or scrape until smooth.

Step #12: From the end of a bed cloth, cut strips of cloth approximately 1-1/2" wide by 8" long and glue them to the pocket cutouts. This will provide cushioning from ball impact and the bed cloth will last much longer.

Proceed to Attaching Bed Cloth instructions.



FIGURES THREE (A & B)



LEG AND BASEFRAME ASSEMBLY - WINDSOR

MONTEBELLO • WINDSOR

FIGURES ONE AND TWO

Step #1: 1. Place the side and end sills upside down on a large flat surface or the floor. Loosely assemble the end sills to the side sills using 5/16-18 x 3-1/2" hex head cap screws, 5/16 washers, and 5/16-18 tab weld nuts.

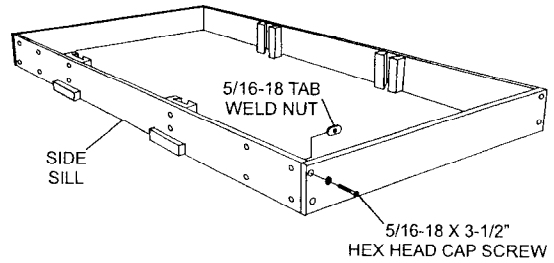


FIGURE ONE

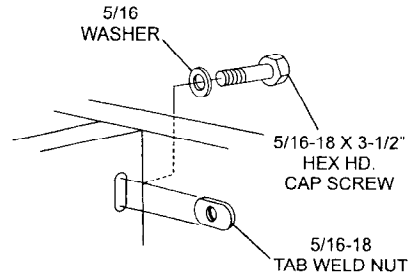


FIGURE TWO

FIGURE THREE

Step #2: With the baseframe remaining upside down loosely mount the leg assemblies to the side sills using 3/8-16 x 6-7/8" hex head cap screws, 3/8 washers and 3/8-16 hex nuts.

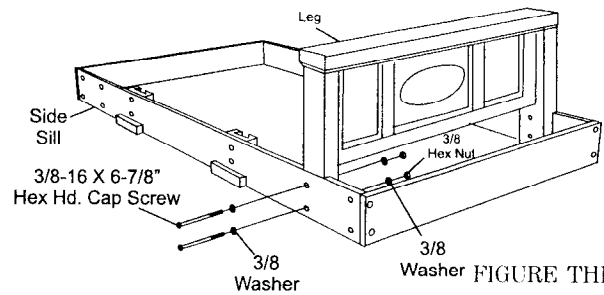


FIGURE THREE

FIGURE FOUR

Step #3: With the baseframe upside down attach the four foot pads using 3/8-16 x 4-1/2" hex head caps screws and 3/8 standard washers. Tighten securely.

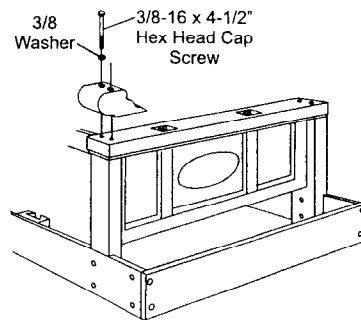


FIGURE FOUR

FIGURE FIVE

Step #4: Attach the stretchers using 1/4 x 1-1/4" roll pins inserted into the holes and 1/4-20 x 3-1/2" stud with 1/4 standard washer and 1/4-20 hex nut on each end. Tighten securely. Turn table upright.

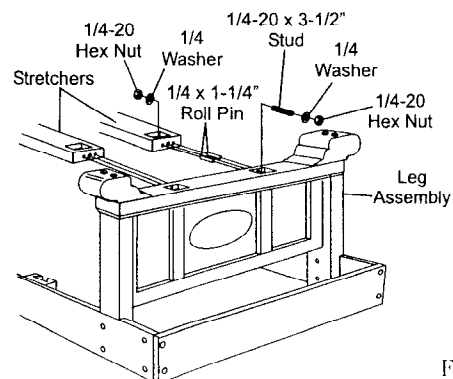


FIGURE FIVE



LEG AND BASEFRAME ASSEMBLY - WINDSOR (CONTINUED)

MONTEBELLO • WINDSOR

FIGURE SIX

Step #5: using a partner, carefully turn table upright and place in its permanent position. Install the dove tail cross supports making sure that they are flush with the top of the side sills. Shim stock can be placed in the bottom of the dove tail slot to accomplish this.

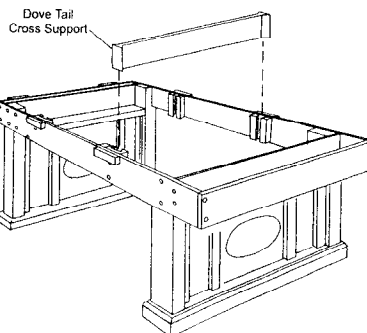


FIGURE SIX

FIGURE SEVEN

Step #6: Square the baseframe by using a carpenter's square or measuring the diagonal corners. The diagonal measurements should not vary over 1/8". With the table square, securely tighten all remaining sill and leg hardware.

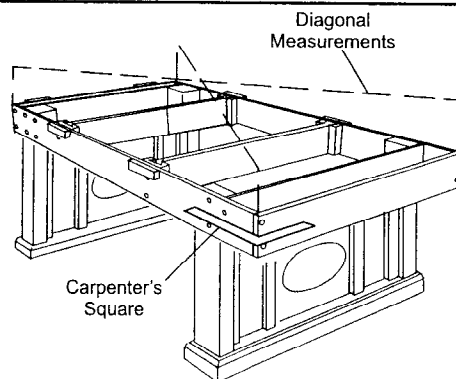


FIGURE SEVEN

FIGURE EIGHT

Step #7: Attach securely (2) slate attach cleats to each end sill using 5/16-18 x 4-1/2" hex head cap screws, 5/16 washers, and 5/16-18 hex nut.

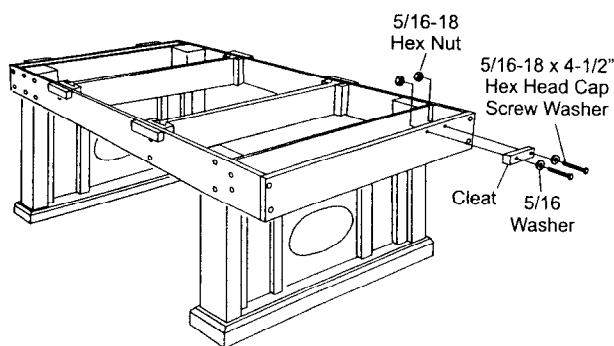


FIGURE EIGHT

SLATE ASSEMBLY AND LEVELING - WINDSOR

MONTEBELLO • WINDSOR

FIGURE ONE

IMPORTANT: Level the baseframe prior to installing the slate.

Step #1: With a carpenter's level, locate the highest corner of the baseframe. Level the baseframe by positioning shims (supplied) underneath the other three legs as necessary.

Step #1: Be sure the top surfaces are absolutely flush. Add shims or remove wood as necessary to accomplish this.

Step #3: With the baseframe level and carefully positioned in its permanent location, place the center section of slate on the table. Be sure it is precisely square with the frame and an equal amount of overhang exists on both sides of the table.

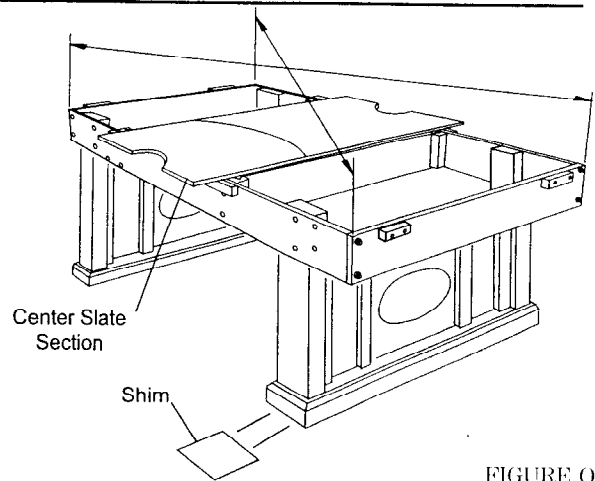


FIGURE ONE

FIGURE TWO

Step #4: Position the two end slate sections on the base frame. Be sure the penciled arc forms a radius as shown.

Step #5: Recheck to be sure the slate has an equal amount of overhang around the baseframe.

Step #6: Using the 12 countersunk holes in the slate as a template, pilot drill 5/32" diameter holes into the mounting cleats.

Step #7: Securely fasten the end slate section at both ends of the table.

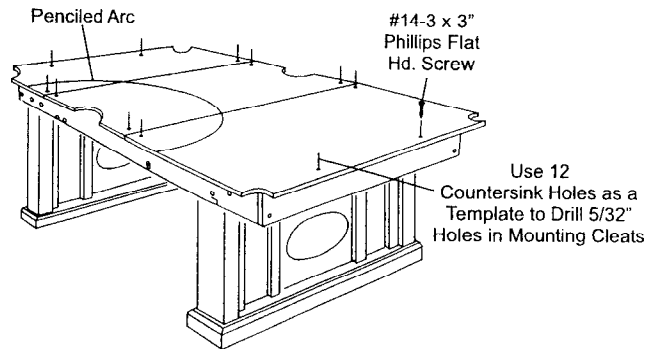


FIGURE TWO

FIGURE THREE (A & B)

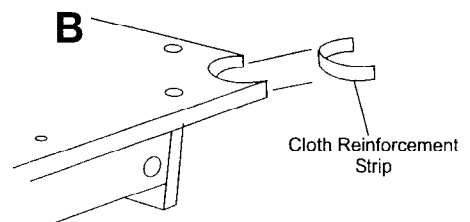
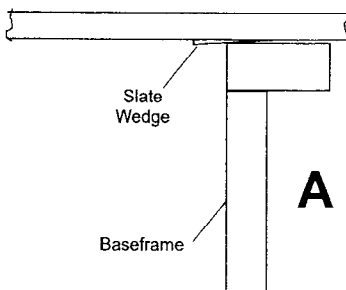
Step #8: With a precision level, level each end slate section by driving wooden slate wedges (provided) between the top of the baseframe and bottom of the slate as shown in Figure 3 (A). Keep wedges as close to the countersunk holes as possible.

Step #9: With both end slates perfectly level, continue fastening the end slates at the joints. Recheck for levelness and if necessary, back the screw out and adjust the shim position, then retighten the slate attaching screw.

Step #10: When satisfied both end slates are level, shim the center slate section as required to obtain a flush fit at both joints, then screw the center slate down.

Step #11: Slate joints can now be filled with "Rock Hard" putty or wax. When dry, lightly sand or scrape until smooth.

Step #12: From the end of a bed cloth, cut strips of cloth approximately 1-1/2" wide by 8" long and glue them to the pocket cutouts. This will provide cushioning from ball impact and the bed cloth will last much longer.



Proceed to Attaching Bed Cloth instructions.

FIGURES THREE (A & B)



ATTACHING BED CLOTH

MONTEBELLO • WINDSOR

Before attaching bed cloth clean slate thoroughly:

FIGURE ONE

Step #1: Lay the bed cloth over the top of the slate, nap side up. Leave an equal amount of cloth overhang at the end and sides of the slate.

NOTE: In determining the direction of the nap, run your hand lightly over the surface of the cloth. If it meets resistance, it is going against the nap.

Step #2: Adjust cloth to leave only enough cloth overhang at the head end and left side to permit tacking into the wood slate frame. Leave the balance of cloth overhang at the foot end and right side.

NOTE: Do not spread tacks or staples on the bed cloth because it could cut the cloth. Keep them in a container that slides over the cloth.

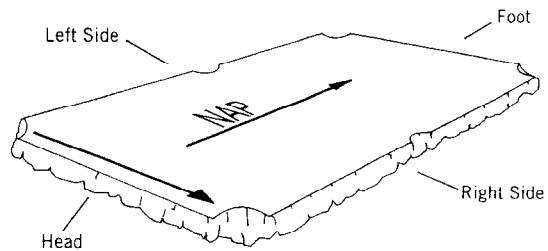


FIGURE ONE

FIGURE TWO

Step #3: Tack or staple the cloth securely to the wood frame at location #1 with two tacks or staples approximately 2" apart.

Step #4: Stretch the cloth across the table and tack or staple securely at location #2 with two tacks or staples 2" apart.

Step #5: Stretch the cloth from location #1 to location #3 and tack or staple securely into the wood frame at the left side of the table.

Step #6: Stretching the cloth across the table from location #3 and pulling from location #2, tack or staple the cloth at location #4.

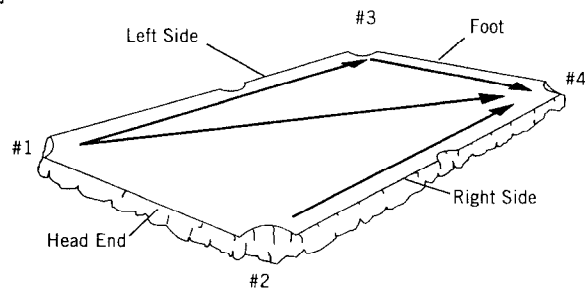


FIGURE TWO

FIGURE THREE

Step #7: On the left side, stretch the cloth tightly from location #1 toward the side pocket opening and tack or staple securely at location #5.

Step #8: Repeat Step 5, stretching the cloth from location #3 and tacking or stapling at location #6.

Step #9: On the right side of the table, grasp the cloth firmly and stretch across the table from location #5 and toward the side pocket from location #2 and tack or staple at location #7.

Step #10: Repeat Step 9, stretching from location #6 and toward the side pocket from location #4 and tack or staple at location #8.

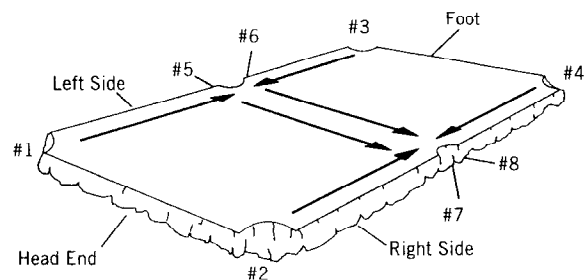


FIGURE THREE

ATTACHING BED CLOTH (CONTINUED)

MONTEBELLO • WINDSOR

FIGURE FOUR

Step #11: At location #9, cut a short slit in the cloth at the edge centered on the side pocket opening. Grasp the cloth firmly above this slit, pull the cloth into the side pocket opening and tack or staple to the wood frame. Complete fastening of the cloth to the side pocket opening, making sure the cloth is tacked or stapled to the wood frame.

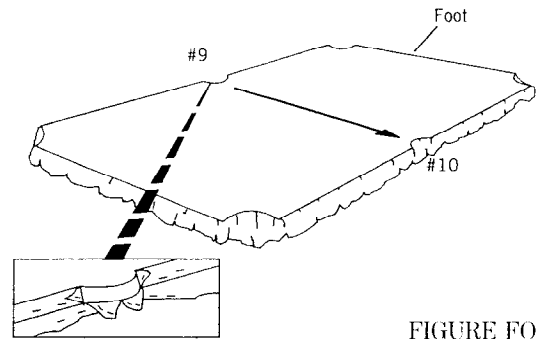


FIGURE FOUR

Step #12: Stretching the cloth tightly across the table from location #9, repeat Step 11 at location #10.

FIGURE FIVE

Step #13: At the head end of the table, tack or staple the cloth at location #11, maintaining uniform overhang.

Step #14: Pull the cloth from location #11 toward location #12 and tack or staple securely along the wood frame, keeping the cloth even along the head end.

Step #15: Stretch the cloth firmly from location #11 to the foot end of the table and tack or staple at location #13.

Step #16: Stretch the cloth tightly from locations #12 and #13 toward location #14 and tack or staple securely along the wood slate frame.

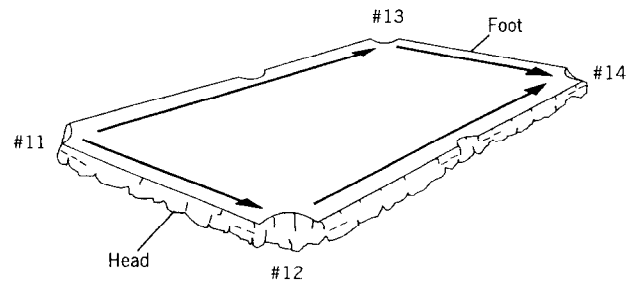


FIGURE FIVE

FIGURE SIX

Step #17: Tack or staple all of the left side on 2" centers keeping the cloth even along the wood frame.

Step #18: Tack or staple the balance of the head end on 2" centers also keeping the cloth even along the wood frame.

Step #19: Stretch the cloth tightly toward the foot end of the table, tacking or stapling on 2" centers along the wood frame at the foot end.

Step #20: Stretch the cloth tightly across the table to the right side, tacking or stapling on 2" centers all the way along the wood frame at the right side.

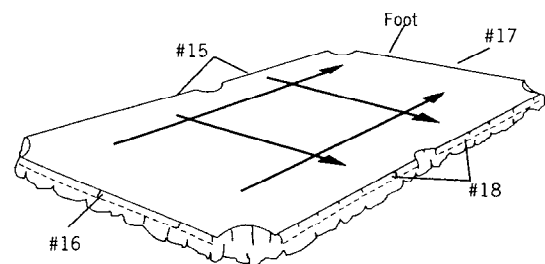


FIGURE SIX

FIGURE SEVEN

Step #21: Stretch the cloth into the corner pocket openings and tack or staple to the wood slate frame.

Step #22: Trim off excess cloth around the perimeter of the slate. Locate the eighteen (18) rail attach holes and cut clearance holes in the cloth with a sharp knife.

NOTE: Occasionally cloth will stretch, leaving wrinkles at the pockets. To retighten, remove apron, one end rail and one side rail. Pull cloth taut, and retack or restaple along the open end and side to restore original tightness.

Cut holes in cloth at rail both locations.

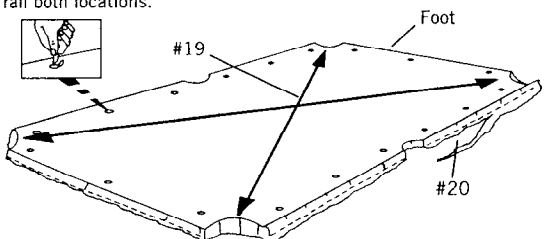


FIGURE SEVEN

ATTACHING RAIL CLOTH

MONTEBELLO • WINDSOR

CORNER POCKET FIGURE ONE

Step #1: Place cloth on rail with the back side down. The cloth should have equal amount of overhang at both ends of rail and extend 1/2" over the featherstrip groove on the cushion side as shown.

Step #2: Except for approximately 3" at end of rail, tap featherstrip down with a tapping block and hammer, starting at center of rail. Stretch cloth tightly toward each end of rail and tap featherstrip down.

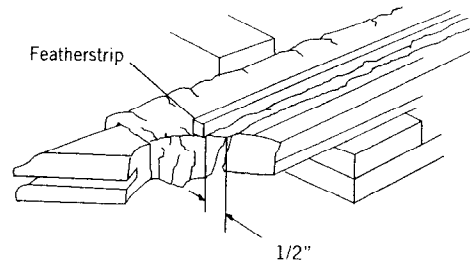


FIGURE ONE

FIGURE TWO

Step #3: At each end of rail, pull the cloth toward the rubber cushion an additional 3/4". Then tap remainder of featherstrip down.

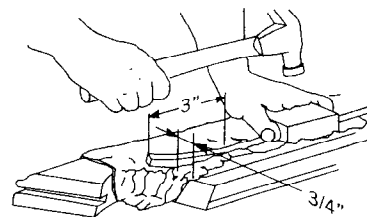


FIGURE TWO

FIGURE THREE

Step #4: Trim the cloth on cushion side of featherstrip along the total length of featherstrip as illustrated.

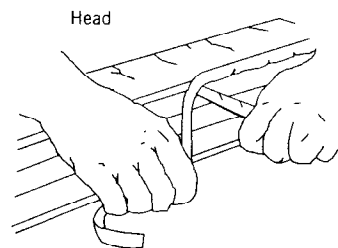


FIGURE THREE

FIGURE FOUR

Step #5: Fold the cloth down over front of rail, then using thumb and forefinger as a guide along front edge of the cushion to keep the tapping block at rear edge of featherstrip, tap the featherstrip down flush with rail surface as shown.

NOTE: Never try to tap a featherstrip flush with just a hammer as you will surely dent the rail surface behind the featherstrip.

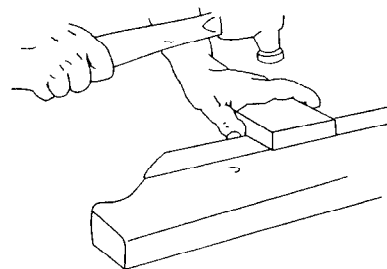


FIGURE FOUR

FIGURE FIVE

Step #6: Turn rail over and at corner pockets fold the cloth over the mitred edge as shown, stretching tightly and working out any wrinkles as you staple three places in area shown.

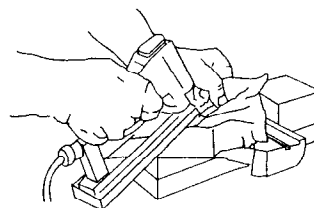


FIGURE FIVE

ATTACHING RAIL CLOTH (CONTINUED)

MONTEBELLO • WINDSOR

FIGURE SIX

Step #7: Staple three places along the rear edge of the pocket facing (X in FIGURE SIX), then trim off excess cloth at pocket area.

Step #8: If rail is an end rail, repeat Step 7 at other corner pocket. Then, starting at center of rails, stretch cloth tightly over cushion and staple at bottom of rail working toward each end.

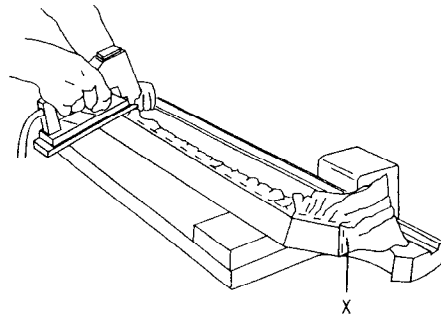


FIGURE SIX

FIGURE SEVEN

Step #9: Trim excess cloth from bottom of rail flush with edge of cloth relief groove.

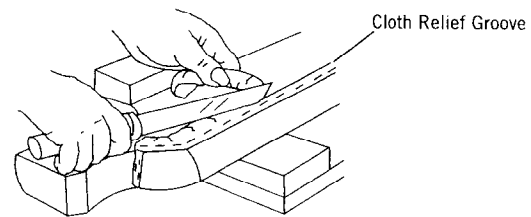


FIGURE SEVEN

SIDE POCKET FIGURE EIGHT

Step #10: At side pocket, stretch the cloth tightly over nose of cushion and staple three places as shown.

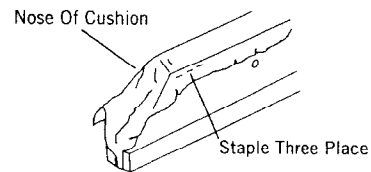


FIGURE EIGHT

FIGURE NINE

Step #11: Slit the cloth up to the edge of cushion nose as shown. Then firmly pull the small strip to the rear of the cushion and staple at rear of facing.

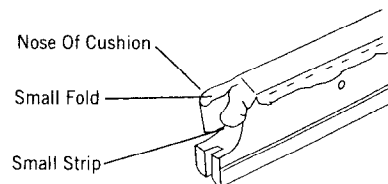


FIGURE NINE

FIGURE TEN

Step #12: Hold the small fold in place with thumb and forefinger and firmly hold it down over facing. Then staple at rear of facing and at bottom of rail as shown.

Step #13: Trim excess cloth as required.

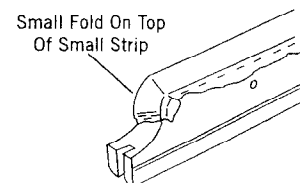


FIGURE TEN

RAIL ASSEMBLY

MONTEBELLO • WINDSOR

FIGURE ONE

Step #1: Position rails upside down on a protected surface in their respective location.

Step #2: On the end of the side or end rail, position the corner plate so the clearance hole is not obscured. Attach to rail with flat head nails. Use only one plate at each rail juncture.

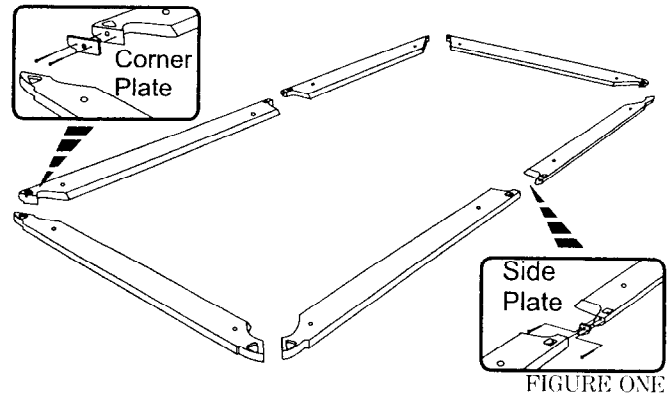


FIGURE TWO

Step #3: For the corner rail assembly, insert the 1/4-20 x 4-1/4" threaded stud through the clearance hole. Place a 1/4 flat washer, 1/4 external tooth lockwasher, and 1/4-20 hex nut on each end of the stud.

Step #4: For the side rails, use 1/4-20 x 6" threaded studs with 1/4 flat washers, 1/4 external tooth lockwashers, and 1/4-20 hex nuts. Assure that all joints are flush and the rail assembly is square, then tighten securely. If you have difficulty obtaining flush fits, the clearance holes can be slightly enlarged.

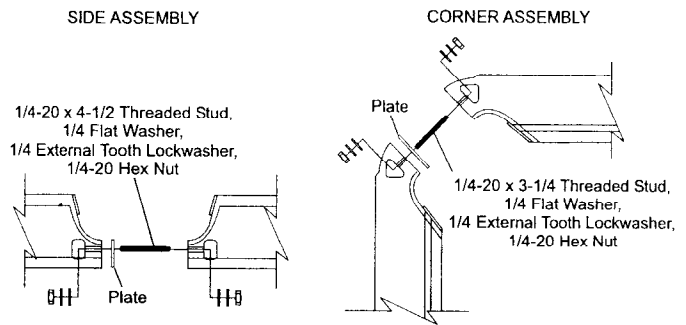
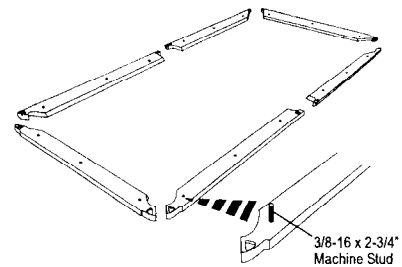


FIGURE THREE

Step #5: Thread a 3/8-16 x 2-3/4" machine stud, finger tight into the three locations of each rail as shown.



APRON ASSEMBLY

MONTEBELLO • WINDSOR

FIGURE ONE

Step #1: Loosely attach the side and end aprons to the bottom side of the rails using 1/4-20 x 1-3/4" hex head cap screws and 1/4 washers. Attach the apron corners to the aprons using 1/4-20 x 1-1/4" hex head cap screws and washers. When tightening, assure that the apron ends are flush with the apron corners. Tighten the remaining apron screws.

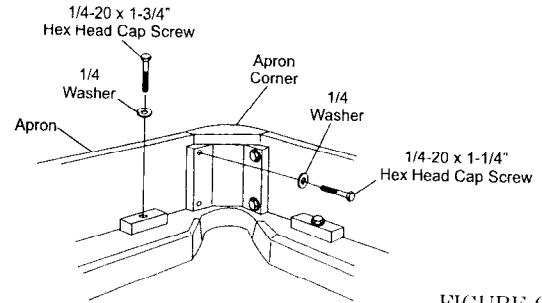


FIGURE ONE

FIGURE TWO

Step #2: Carefully turn the rail and apron assembly over and lower over the table. See Figure 5.

CAUTION: Do not let the rail assembly "twist" or "bow" while turning as the strain may cause the rail to crack at the ends.

Step #3: Align the 18 machine studs with the 18 clearance holes through the slate and lower the assembly onto the slate.

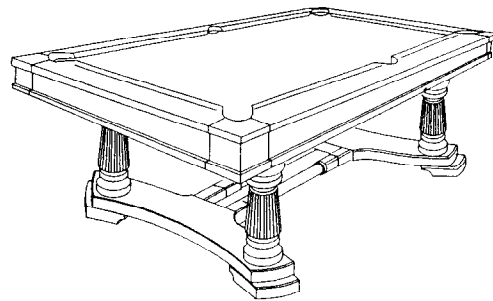


FIGURE TWO

FIGURE THREE

Step #4: Thread the hex nut and dome washer onto the machine stud (three places) at the ends of the table and tighten securely.

Step #5: Making sure the side rails are in a straight line as sighted down the length of the table (cushion side), fasten the side rails securely with remaining nuts and dome washers.

Step #6: Position the two side pockets and four corner pockets in their respective pocket openings. Fit and attach using four nails per pocket.

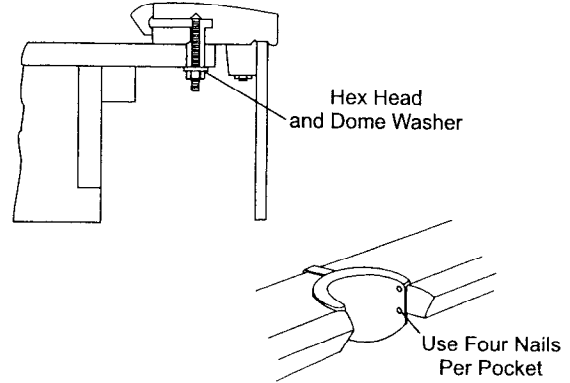


FIGURE THREE

FIGURE FOUR

Step #7: Thoroughly brush the area on which the bed spots are to be applied. Position the bed spot and firmly roll a ball over the spot to achieve a good adhesion.

NOTE: Bed spots are self adhesive.

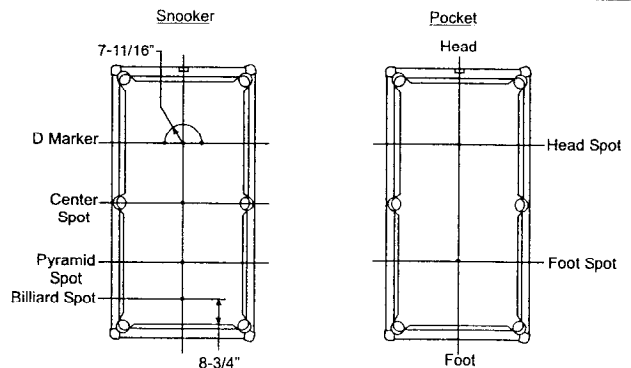


FIGURE FOUR

